



PS Series

Portable Electronic Pocket Scale

Ohaus PS pocket scales deliver great performance in a unique stylish yet functional design. The combination pan & cover slides back for weighing and forward to cover the display and keys for storage or transport. Two mechanical buttons and a crisp LCD allow for simple, quick operation. With the PS there is no reason to settle for other brands when you can have an Ohaus.

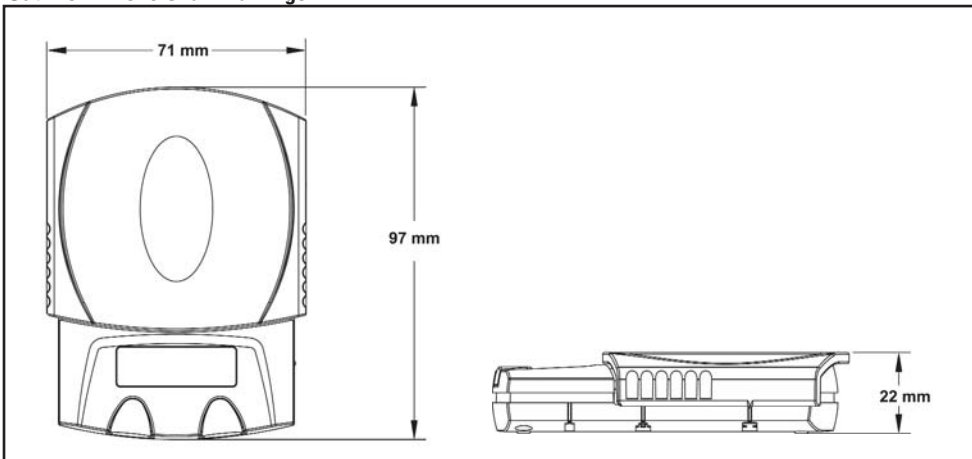
- Sliding pan & cover protects display and keys and prevents load cell damage transport
- Smaller size than most pocket scales allowing a comfortable fit in your pocket
- Fast and easy battery replacement with “pop-out” design

PS Series Portable Pocket Scale

Specifications

Capacity (g)	120	250
Readability (g)	0.1	
Repeatability (Std. Dev.) (g)	0.1	
Linearity (g)	0.1	
Off-Center Load (g)	0.1	
Weighing Units	g, oz, ozt, dwt	
Power	2 lithium batteries (included)	
Item Number	PS121	PS251

Outline Dimensional Drawings



Standard Features

High contrast LCD, stability indicator, overload and underload indicators, low battery indicator, auto shut-off.

Industry Leading Quality and Support

All Ohaus PS Pocket Scales are manufactured under an ISO 9001:2000 Registered Quality Management System. Our rugged construction and stringent quality control have been hallmarks of all Ohaus products for nearly a century.

Ohaus UK Ltd

64 Boston Road - Beaumont Leys
Leicester - LE4 1AW
Tel. : 0116 234 5075
Fax : 0116 235 9256
E-mail : uksales@ohaus.com

Ohaus Europe & MEA

Im Langacher
CH-8606 Greifensee
Switzerland
Tel. : + 41-1-944 33 66
Fax : + 41-1-944 32 30
E-mail : EuropeSales@ohaus.com

www.ohaus.com

*With offices throughout Europe,
Asia, and Latin America*

***ISO 9001:2000**

Registered Quality Management System

80774216 © Copyright Ohaus Corporation

